



JWDS-2550

DRUM SANDER

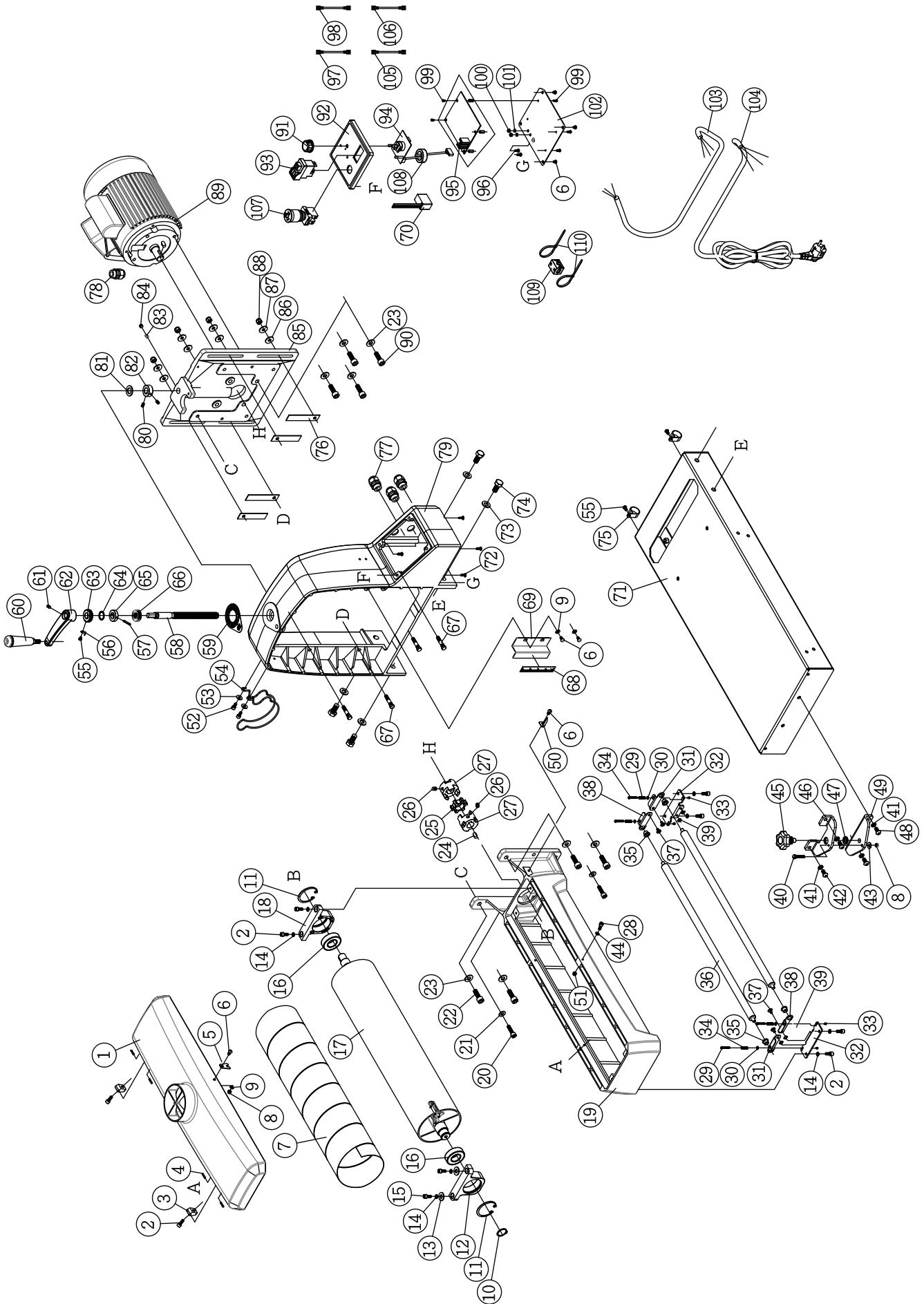
JWDS-2550....723550OSKM....1~230V, 50Hz

PARTS LIST

JPW (Tool) AG
Tämperlistrasse 5
CH-8117 Fällanden
Switzerland
Phone+41 44 806 47 48
Fax+41 44 806 47 58
www.jettools.com

P-723550OSKM 2019-01

JWDS-2550 Head Assembly – Exploded View



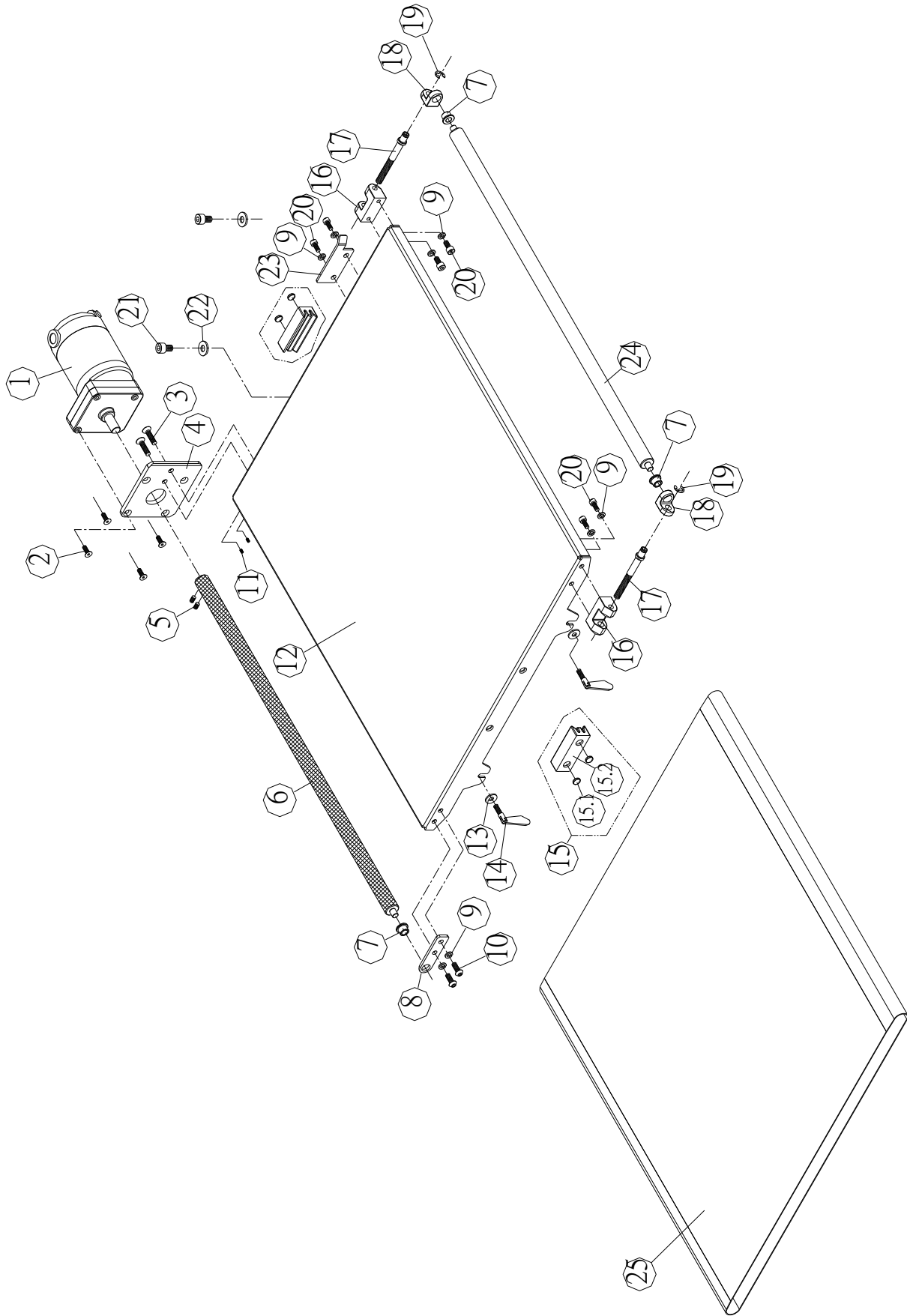
JWDS-2550 Head Assembly – Parts List

Index No	Part No	Description	Size	Qty
1	JWDS2550-101	Dust Hood		1
2	JWDS2244-102	Socket Head Cap Screw	M6-1.0P x 16L	8
3	JWDS1632-103	Drum Carriage Hinge		2
4	40317-15	Spring Pin	3 x 14L mm	4
5	JWDS1632-105E	Locking Plate		1
6	TS-1534032	Phillips Pan Hd Machine Screw	M6 x 1.0P x 10L	1
7	JWDS2244-107	Abrasive	#80 Grit	1
8	F001753	Nylon Lock Hex Nut	M6 x 1.0P	1
9	F002636	Flat Washer	6 x 12 x 1T	3
10	PM2244-112	C-Retainer Ring Ext. (Re:17A)	STW-25	1
11	PM2244-114	C-Retainer Ring Int. (Re:17A)	RTW-52	2
12	JWDS1632-116	Outboard Bearing Housing (Re:17A)		1
13	JWDS1632-115	Flat Washer	6.5 x 19 x 3T mm	2
14	TS-2361061	Lock Washer	M6	8
15	TS-2246252	Socket Head Button Screw	M6-1.0P x 25L	2
16	PM2244-115	Ball Bearing (Re:17A)	6205VV	2
17	JWDS2550-117	Drum (Re:17A)		1
17A	JWDS2550-117A	Drum Assembly (includes #2, 10-18, 24-27)		1
18	JWDS1632-110	Inboard Bearing Housing (Re:17A)		1
19	JWDS2244-119	Drum Carriage (Re:17A)		1
20	TS-1504061	Socket Head Cap Screw	M8-1.25P x 30L	2
21	TS-1550061	Flat Washer	8.3 x 18 s 1.5T mm	2
22	TS-1505041	Socket Head Cap Screw	M10-1.5P x 30L	4
23	TS-1550071	Flat Washer	10.2 x 23 x 2T	8
24	JWDS1632-120	Key (Re:17A)	8 x 7 x 20L	1
25	PM2244-139	Rubber Cushion (Re:17A)		1
26	F010408	Socket Set Screw	M8-1.25P x 10L	2
27	PM2244-138	Coupling (Re:17A)		2
28	TS-1502011	Socket Head Cap Screw	M5-0.8P x 8L	1
29	PM2244-125	Compression Spring		4
30	TS-1550021	Flat Washer	4.2 x 8 x 0.8T	4
31	PM2244-131	Right Tension Roller Suspension Bracket		2
32	PM2244-128	Tension Roller Bracket		2
33	F010386L	Soc Set Screw CPP w/thrdlckr	M4-0.7P x 8L	4
34	JWDS1632-126	Phillips Round Head Screw	M4-0.7P x 25L	4
35	PM2244-130	Oilite Bushing		4
36	JWDS2550-136	Tension Roller		2
37	PM2244-132	Shoulder Screw		4
38	PM2244-129	Left Tension Roller Suspension Bracket		2
39	JWDS2244-139	Wave Washer	WW-6	4
40	TS-1482061	Hex Cap Screw	M6-1.0P x 30L	1
41	TS-2361081	Lock Washer	M8	4
42	TS-2248162	Socket Head Button Screw	M8-1.25P x 16L	2
43	TS-1550041	Flat Washer	6.5 x 19 x 2T	1
44	TS-1550031	Flat Washer	5 x 12 x 1T	1
45	JWDS1632-172	Knob		1
46	JWDS1632-173	Parallel Adjust Moving Bracket		1
47	JWDS1632-174	Oilite Washer		1
48	TS-2248202	Socket Head Button Screw	M8-1.25P x 20L	2
49	JWDS1632-175	Parallel Adjust Fixed Bracket		1
50	JWDS1632-166	Pointer		1
51	TS-1534032	Phillips Pan Hd Machine Screw	M6-1.0P x 10L	7
52	TS-1503031	Socket Head Cap Screw	M6-1.0P x 12L	2
53	JWDS2244-153	Flat Washer	6.4 x 16 x 1.6T	2
54	JWDS2244-154	Hose Hanger		1
55	JWDS1632-139	Phillips Round Head Screw	M5-0.8P x 8L	3
56	JWDS1632-138	Pointer		1

Index No	Part No	Description	Size	Qty
57	JWDS1632-146	Spring Pin	4 x 30L	1
58	JWDS2244-158	Height Adjusting Screw		1
59	JWDS2244-159E	Incremental Depth Scale		1
60	JWDS2244-160	Handle Assembly		1
61	TS-1523031	Socket Head Set Screw	M6-1.0P x 10L	1
62	JWDS2244-162	Crank		1
63	JWDS1632-143	Dial		1
64	JWDS1632-144	O-Ring	P11	1
65	JWDS1632-145	Collar		1
66	BB-51103	Thrust Bearing	17 x 30 x 9T	1
67	JWDS2244-167	Stud		4
68	JWDS2244-168E	Depth Scale		1
69	JWDS2244-169	Depth Scale Bracket (includes #68)		1
70	JWDS1632-196E	EMC Filter		2
71	JWDS2550-171	Base		1
72	JWDS2244-172	Self Tapping Screw	M4 x 20L	4
73	TS-2360121	Flat Washer	12 x 23 x 2T	4
74	TS-1492021	Hex Cap Screw	M12-1.75P x 30L	4
75	JWDS1632-188E	Cable Management	ACC-5-B	2
76	JWDS2244-176	Oilite Plate		4
77	JWDS2244-177	Strain Relief	MG20AS-10B-7	3
78	JWDS1632-153	Strain Relief	PG 13.5	1
79	JWDS2244-179	Motor Shroud		1
80	TS-1523031	Socket Head Set Screw	M6-1.0P x 10L	3
81	JWDS1632-148	Nylon Washer		1
82	JWDS1632-149	Collar		1
83	PM2244-184	PU Block		1
84	5302731	Socket Head Set Screw	M8-1.25P x 6L	1
85	JWDS2244-185	Motor Plate		1
86	JWDS1632-157	Oilite Washer		4
87	TS-1550061	Flat Washer	8.2 x 23 x 2T	4
88	TS-1541031	Nylon Lock Hex Nut	M8-1.25P	4
89	JWDS1836-154E	Motor	1.75HP, 230V, 50Hz	1
	JWDS1632-154SC	Starting Capacitor (not shown)	300MFD 125VAC	1
	JWDS1632-154SCC	Starting Capacitor Cover (not shown)		1
	JWDS1836-154RC	Running Capacitor (not shown)	50uF 250VAC	1
	JWDS1632-154FC	Fan Cover (not shown)		1
	JWDS1632-154CF	Cooling Fan (not shown)		1
90	F005430	Socket Head Cap Screw	M10-1.5P x 35L	4
91	PM2244-196	Knob		1
92	JWDS2244-192E	Control Panel		1
93	JWDS2244-193E	Switch		1
94	JWDS2244-194E	Potentiometer w/cords & ferrite core		1
95	JWDS2244-195E	Circuit Board	230V	1
96	TS-1533042	Phillips Pan Hd Machine Screw	M5-0.8P x 12L	4
97	JWDS2244-197E	Internal Connection Cable (Blue)	ST 16AWG x 1C x 15cm	1
98	JWDS2244-198E	Internal Connection Cable (Brown)	ST 16AWG x 1C x 15cm	1
99	TS-1531012	Phillips Pan Hd Machine Screw	M3-0.5P x 5L	8
100	TS-1540031	Hex Nut	M5-0.8P	2
101	F002097	Lock Washer, Ext. Tooth	M5	2
102	JWDS2244-1102	Circuit Board Holder		1
103	JWDS2244-1103E	Motor Cable		1
104	JWDS1632-190E	Power Cable		1
105	JWDS2244-1105E	Internal Connection Cable (Brown)	ST 16AWG x 1C x 10cm	1
106	JWDS2244-1106E	Internal Connection Cable (Brown)	ST 16AWG x 1C x 10cm	1
107	JWDS2244-1107E	Emergency Stop		1
108	JWDS2244-1108E	Ferrite Core for Potentiometer		1
109	JWDS2244-1109E	Ferrite Core for Belt Motor		1
110	JWDS2244-1110E	Cable Tie		1

Index No	Part No	Description	Size	Qty
.....	JWDS2244-1111E	Motor Label (not shown).....		1
.....	LM000343E.....	ID Label, JWDS-2550 (not shown)		1
.....	JET-113	JET Logo (not shown).....	113x47mm	1
.....	JWDS1632-196E	Control Panel Label (not shown)		1
.....	JWDS1632-197E	Left Parallel Adjust Label (not shown).....		1
.....	JWDS1632-198E	Right Parallel Adjust Label (not shown).....		1
.....	LM000238E.....	Warning Label (not shown)		1

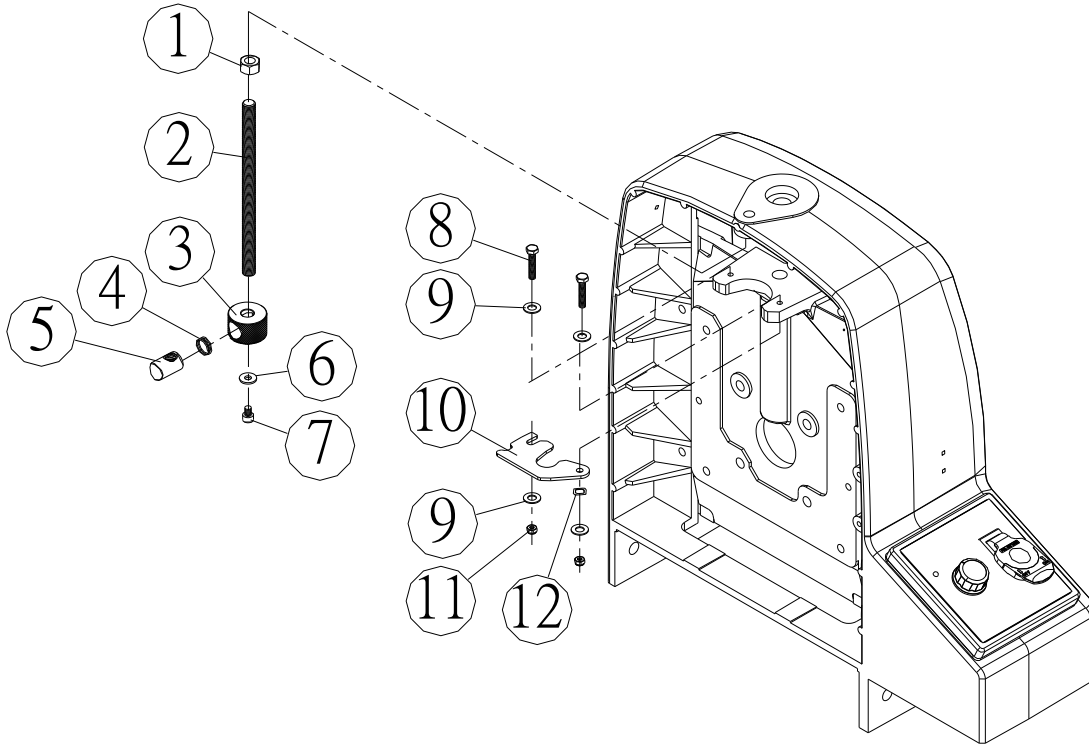
JWDS-2550 Conveyor Table Assembly – Exploded View



JWDS-2550 Conveyor Table Assembly – Parts List

Index No	Part No	Description	Size	Qty
1	JWDS2244-201E	Belt Motor	1/30HP 230V	1
2	F010839	Socket Head Flat Screw	#10 x 32UNC x 1/2IN L	4
3	F010985	Socket Head Flat Screw	M6-1.0P x 35L	2
4	JWDS1632-204	Belt Motor Plate		1
5	TS-1522011	Socket Head Set Screw	M5-0.8P x 5L	2
6	JWDS2550-206	Drive Roller		1
7	PM2244-130	Oilite Bushing		3
8	JWDS1632-208	Drive Roller Bracket		1
9	TS-2361061	Lock Washer	M6	8
10	TS-2246162	Socket Head Button Screw	M6-1.0P x 16L	2
11	TS-1521021	Socket Head Set Screw	M4-0.7P x 5L	2
12	JWDS2550-212	Conveyor Table		1
13	TS-1550041	Flat Washer	6.5 x 19 x 2T	2
14	JWDS2550-214	Wing Screw		2
15	PM2244-213	Tracker Kit (set of 2)		1
16	JWDS1632-217	Adjusting Rod Bracket		2
17	JWDS1632-218	Adjusting Rod		2
18	JWDS1632-219	Driven Roller Bracket		2
19	JWDS1632-220	E-Retaining Ring	ETW-7	2
20	TS-1503031	Socket Head Cap Screw	M6-1.0P x 12L	6
21	TS-1504021	Socket Head Cap Screw	M8-1.25P x 12L	2
22	TS-1550061	Flat Washer	8.5 x 19 x 2T	2
23	JWDS1632-224	Guide Plate		1
24	JWDS2550-224	Driven Roller		1
25	JWDS2550-225	Conveyor Belt		1
26	JWDS1632-227E	Conveyor Motor Label (not shown)		1
27	LM000236E	Caution Label – Table Lock (not shown)		1

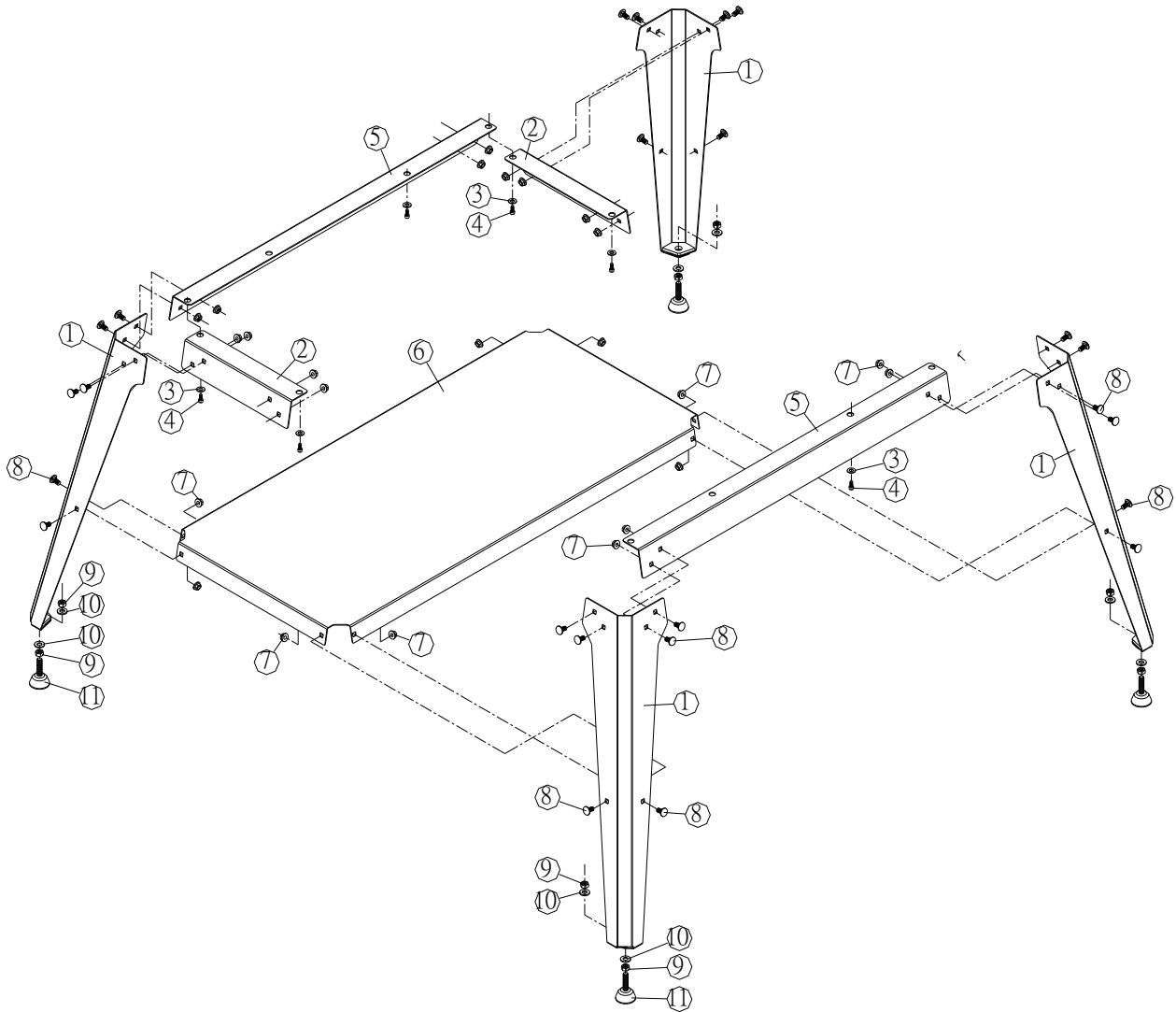
JWDS-2550 Depth Stop Assembly – Exploded View



JWDS-2550 Depth Stop Assembly – Part List

Index No	Part No	Description	Size	Qty
	723553	Depth Stop Assembly (#1 thru 12)		1
1	JWDS2244-601	Special Nut		1
2	JWDS2244-602	Threaded Post		1
3	JWDS2244-603	Stop Nut		1
4	JWDS2244-604	Compression Spring		1
5	JWDS2244-605	Half Nut		1
6	TS-1550031	Flat Washer	5.2 x 16 x 1.4T	1
7	TS-1502031	Socket Head Cap Screw	M5-0.8P x 12L	1
8	TS-1482051	Hex Cap Screw	M6-1.0P x 25L	2

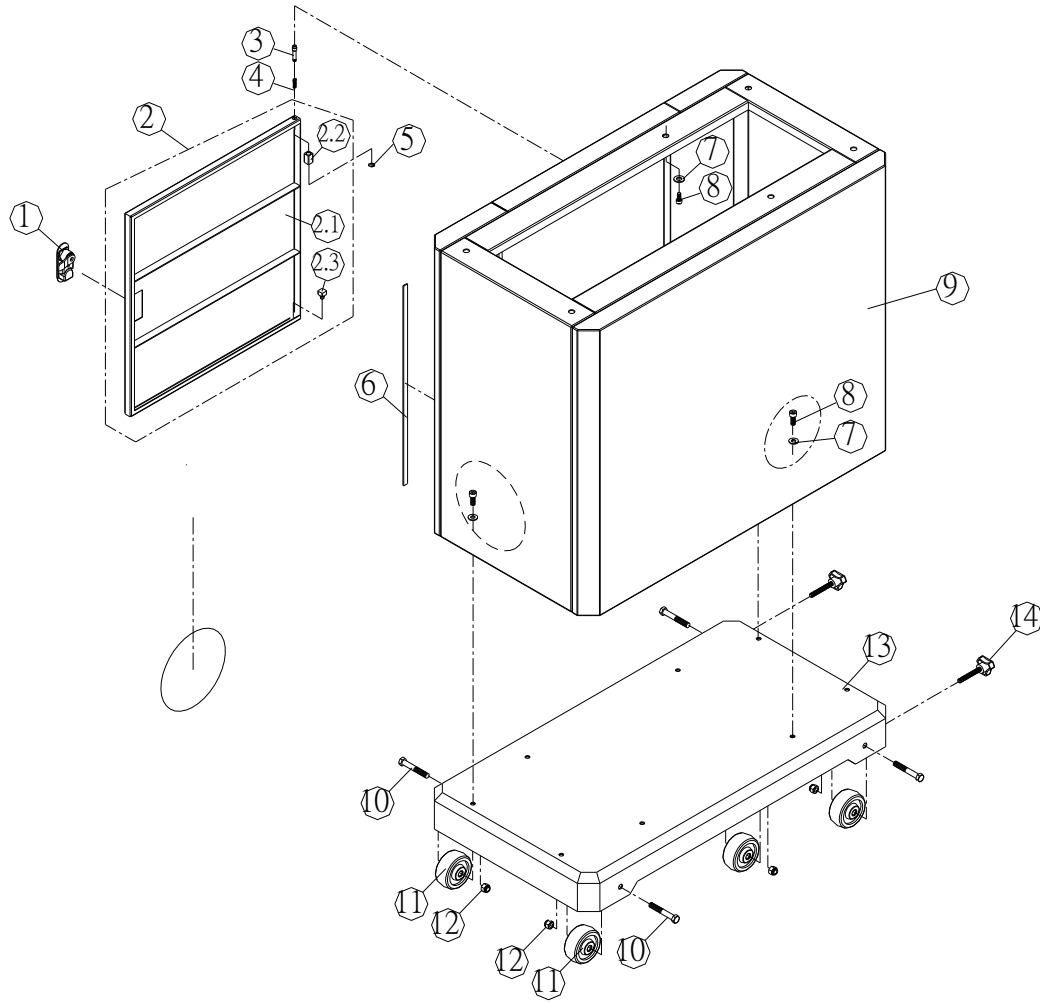
JWDS-2550 Open Stand Assembly – Exploded View



JWDS-2550 Open Stand Assembly – Parts List

Index No	Part No	Description	Size	Qty
.....	7235500S	Open Stand Assembly for JWDS-2550 (includes #1-11)		1
1.....	JWDS1632-301	Leg		4
2.....	JWDS2244-302	Short Rail	11-3/4"L	2
3.....	TS-1550061	Flat Washer	8.3 x 18 x 1.5T mm	6
4.....	TS-1504031	Socket Head Cap Screw	M8-1.25P x 16L	6
5.....	JWDS2550-305	Long Rail	30-1/2"L	2
6.....	JWDS2550-306	Shelf		1
7.....	JWDS1632-307	Flange Lock Nut	M8-1.25P	24
8.....	JWDS1632-308	Carriage Bolt	M8-1.25P x 16L	24
9.....	TS-1540071	Hex Nut	M10-1.5P	8
10.....	TS-1550071	Flat Washer	10 x 20 x 2.0T mm	8
11.....	JWDS1632-311	Leveling Foot		4
.....	JWDS2244-320	Hardware Package, Open Stand (includes #7 thru 11)		4

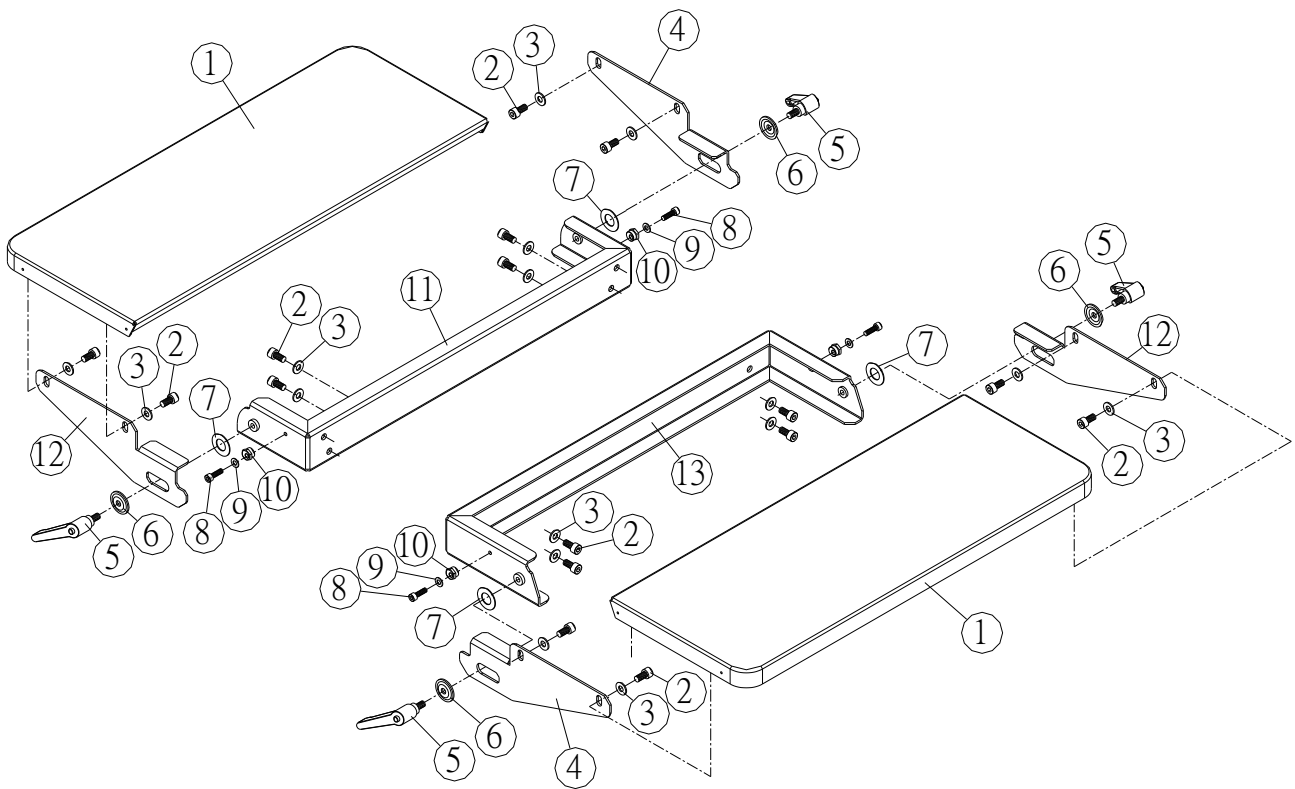
JWDS-2550 Closed Stand Assembly (OPTIONAL) – Exploded View



JWDS-2550 Closed Stand Assembly (OPTIONAL) – Part List

Index No	Part No	Description	Size	Qty
.....	723544CS.....	Closed Stand Assembly (#1 thru 14)		
1.....	JOSS-S-245	Door Latch		1
2.....	JWDS2550-702	Cabinet Door		1
3.....	JOSS-S-242	Door Pivot		1
4.....	JOSS-S-243	Compression Spring		1
5.....	6286482.....	E-Retaining Ring Ext.	ETW-4	1
6.....	JWDS2550-706	Foam Strip		1
7.....	TS-1550061.....	Flat Washer	8.3 x 18 x 1.5T	14
8.....	TS-1504031.....	Socket Head Cap Screw	M8-1.25P x 16L	14
9.....	JWDS2550-709	Cabinet		1
10.....	TS-0060111.....	Hex Cap Screw	3/8" -16UNC x 2-1/2"L.....	4
11.....	PJE-S05	Wheel		4
12.....	TS-0640091.....	Nylon Lock Hex Nut	3/8" -16UNC	4
13.....	JWDS2550-713	Base		1
14.....	JWDS2550-714	Knob		2

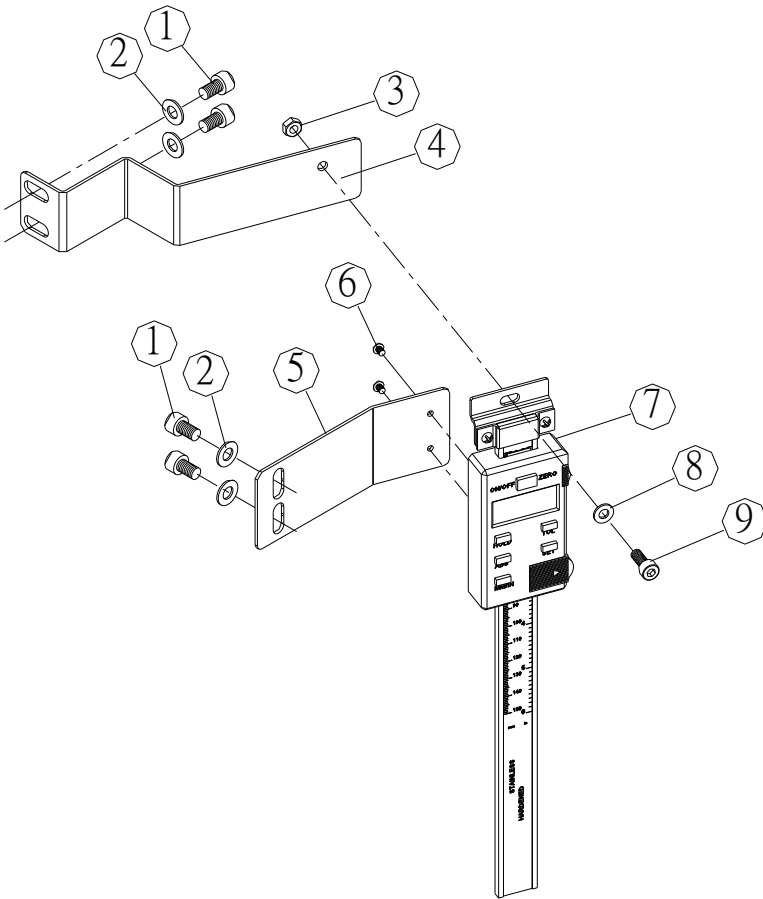
JWDS-2550 Infeed and Outfeed Tables (OPTIONAL) – Exploded View



JWDS-2550 Infeed and Outfeed Tables (OPTIONAL) – Parts List

Index No	Part No	Description	Size	Qty
.....	723551.....	Infeed/Outfeed Table Kit, JWDS-2550 (includes #1-13).....		1
1.....	JWDS2550-401	Extension Table		2
2.....	TS-1504031.....	Socket Head Cap Screw	M8-1.25P x 16L	16
3.....	TS-1550061.....	Flat Washer	8.3 x 20 x 1.5T	16
4.....	JWDS2244-404	Left Folding Table Bracket.....		2
5.....	JWDS2244-405	Handle		4
6.....	JWDS2244-406	Disc Washer.....		4
7.....	JWDS2244-407	Oilite Washer.....		4
8.....	TS-1503051.....	Socket Head Cap Screw	M6-1.0P x 20L	4
9.....	TS-1550041.....	Flat Washer	6.3 x 13 x 2T.....	4
10.....	JWDS2244-410	Eccentric Cam.....		4
11.....	JWDS2550-411	Rear Fixed Bracket.....		1
12.....	JWDS2244-412	Right Folding Table Bracket.....		2
13.....	JWDS2550-413	Front Fixed Bracket		1

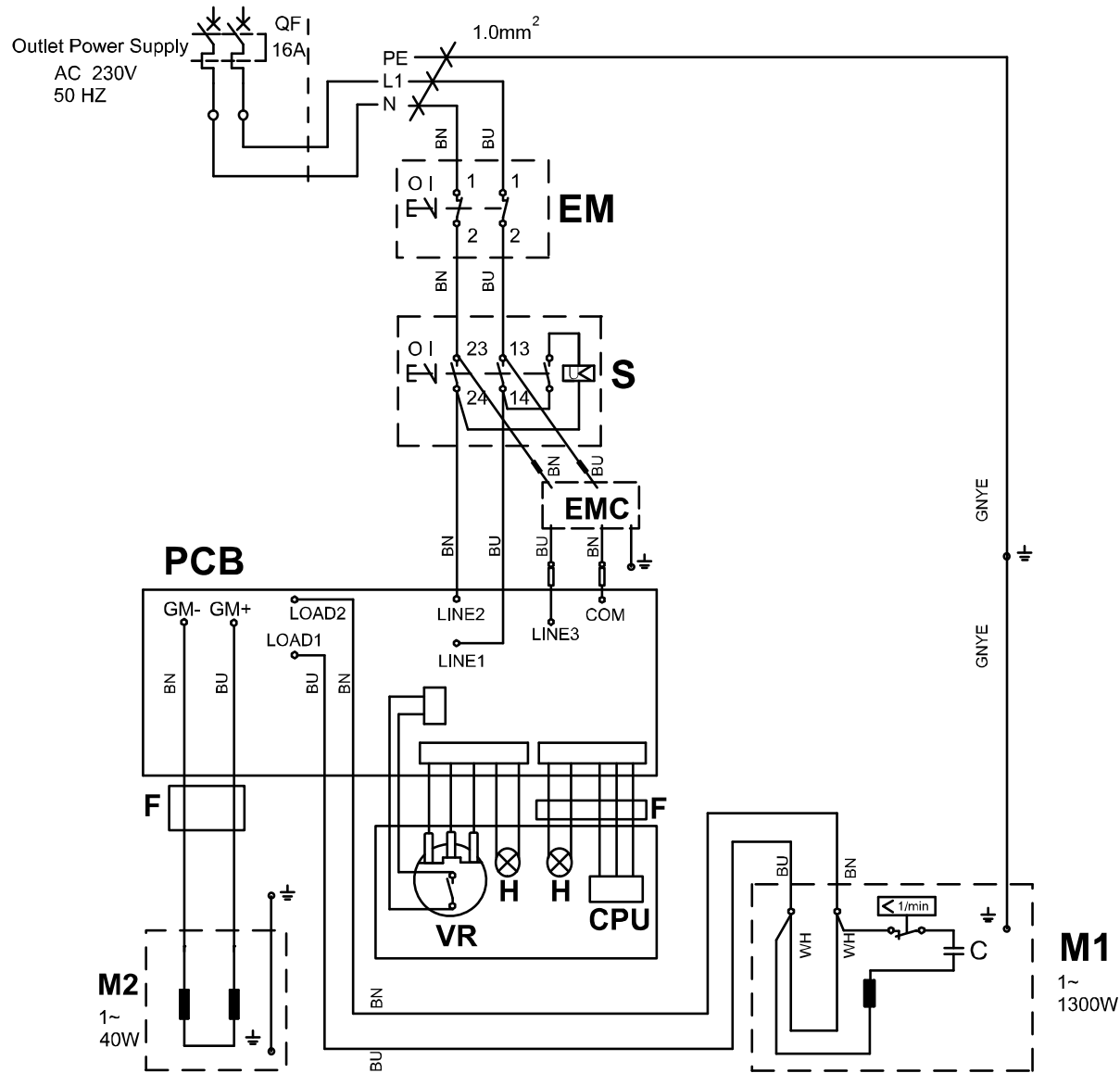
JWDS-2550 Digital Reading (OPTIONAL) – Exploded View



JWDS-2550 Digital Reading (OPTIONAL) – Parts List

Index No	Part No	Description	Size	Qty
	723552	Drum Sander DRO Assembly (includes #1 thru 9)		
1	TS-1503021	Socket Head Cap Screw	M6-1.0P x 10L	4
2	TS-1550041	Flat Washer	6.5 x 13 x 1T	4
3	TS-1540031	Hex Nut	M5-0.8P	1
4	JWDS2244-504	Upper Bracket		1
5	JWDS2244-505	Lower Bracket		1
6	JWDS2244-506	Phillips Round Hd Machine Screw	M3-0.5P x 5L	2
7	JWDS2244-507	DRO		1
8	TS-1550031	Flat Washer	5.1 x 10 x 1T	1
9	TS-1502031	Socket Head Cap Screw	M5-0.8P x 12L	1

JWDS-2550.....723550OSKM.....1~230V, 50Hz



	colour of strands	Litzenfarben	couleur des cordons
BK	black	schwarz	noir
WH	white	weiß	blanc
BU	blue	blau	bleu
YE	yellow	gelb	jaune
RD	red	rot	rouge
BN	brown	braun	brun
GY	grey	grau	gris
GNYE	green-yellow	grün-gelb	vert-jaune
OG	orange	orange	orange
VT	violet	violett	violet

	meaning of symbol	Bedeutung der Zeichen	interprétation
M1	motor	motor	moteur
M2	motor	motor	moteur
S	switch	schalter	interrupteur
EM	e-stop	not-Aus Taster	d'urgence
C	condenser	kondensator	condensateur
VR	potentiometer	potentiometer	potentiomètre
EMC	filter	filter	filtre
PCB	circuit board	leiterplatte	carte circuit
H	indication light	anzeigelicht	la lumière d'indication
F	ferrite core	ferritkerne	noyau de ferrite

This page is intentionally blank



JPW (Tool) AG
Tämperlistrasse 5, CH-8117 Fällanden
Schweiz | Suisse | Svizzera | Switzerland